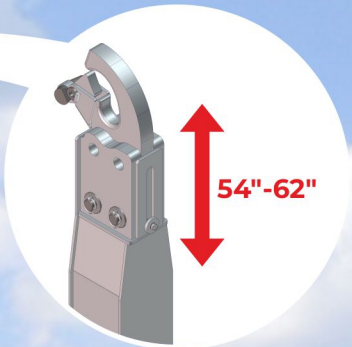
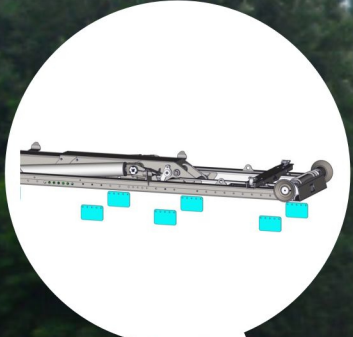


HOOK WITH MECHANIC ADJUSTABLE LEVEL



UNDERFRAME PIERCED LONGITUDINAL MEMBERS



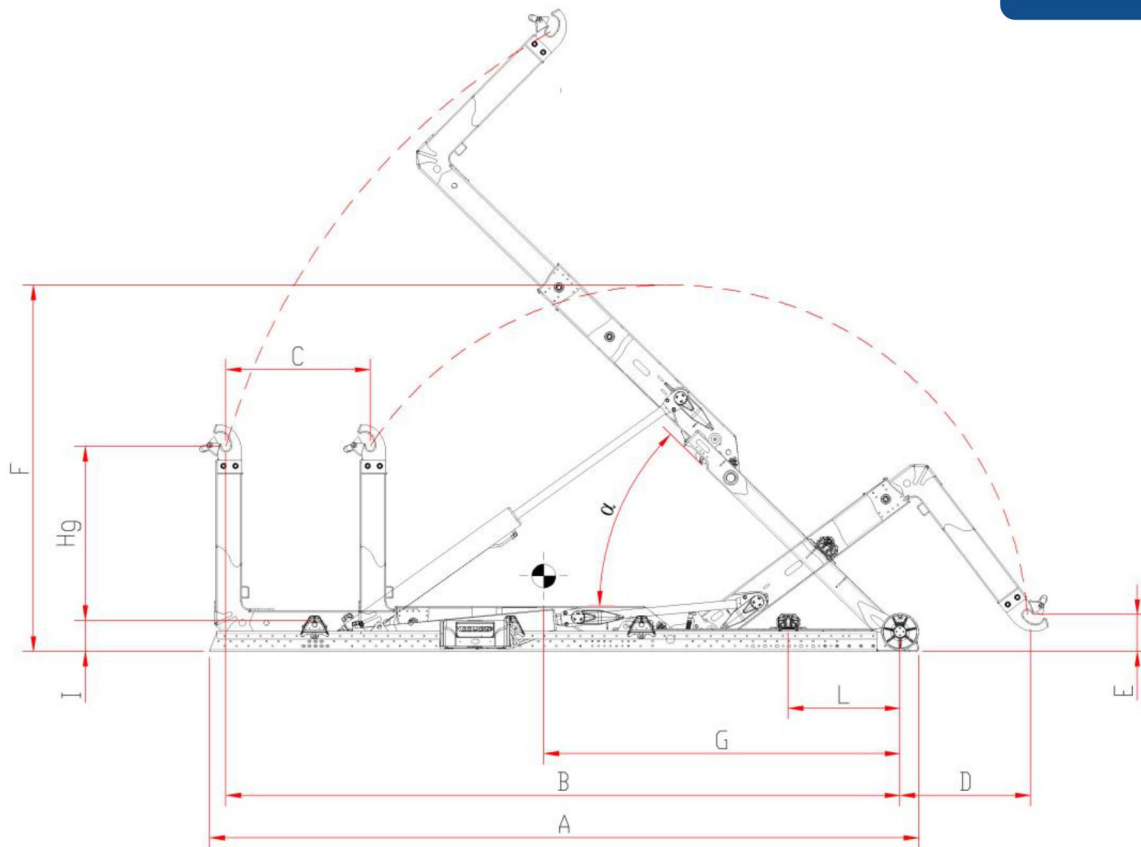
BOBEASY CAB CONTROL



EXTERNAL MECHANICAL LOCKING



TILTING REAR ROLLERS



MODEL	TL 50.000 C MS	TL 50.000 NC MS	TL 50.000 N MS	TL 50.000 NL MS	TL 50.000 L MS
Hg	53,88"/61,75" (1.369/1.569mm)	53,88"/61,75" (1.369/1.569mm)	53,88"/61,75" (1.369/1.569mm)	53,88"/61,75" (1.369/1.569mm)	53,88"/61,75" (1.369/1.569mm)
A	246,45" (6.260 mm)	254,33" (6.460 mm)	262,20" (6.660 mm)	269,68" (6.850 mm)	277,55" (7.050 mm)
B	226,37" (5.750 mm)	234,25" (5.950 mm)	242,12" (6.150 mm)	250" (6.350 mm)	257,87" (6.550 mm)
C	51,18" (1300 mm)	51,18" (1300 mm)	51,18" (1300 mm)	51,18" (1300 mm)	51,18" (1300 mm)
D	66,92" (1.480 mm)	66,92" (1.280 mm)	59,05" (1.080 mm)	51,18" (880 mm)	43,3" (680 mm)
E	6,69" (170 mm)	6,69" (170 mm)	6,69" (170 mm)	6,69" (170 mm)	6,69" (170 mm)
F	129,52" (3.290 mm)	129,52" (3.290 mm)	129,52" (3.290 mm)	129,52" (3.290 mm)	129,52" (3.290 mm)
G	124,01" (3.150 mm)	129,92" (3.300 mm)	135,82" (3.450 mm)	141,73" (3.600 mm)	145,66" (3.700 mm)
I	10,23" (260 mm)	10,23" (260 mm)	10,23" (260 mm)	10,23" (260 mm)	10,23" (260 mm)
L	14,56" (700 mm)	22,44" (900 mm)	21,65" (1100 mm)	27,55" (1300 mm)	35,43" (1500 mm)
Weight*	4.916 lb (2.230 Kg)	5.004 lb (2.270 Kg)	5.092 lb (2.310 Kg)	5.180 lb (2.350 Kg)	5.269 lb (2.390 Kg)
α	54°	51°	48°	46°	44°
Container min. max.	16' - 21' (4.880 - 6.400 mm)	16' - 22' (4.880 - 6.700 mm)	17' - 22' (5.180 - 6.700 mm)	18' - 23' (5.480 - 7.000 mm)	18' - 24' (5.480 - 7.310 mm)
LIFTING CAPACITY	50.000 lb (22.679 Kg)	50.000 lb (22.679Kg)	50.000 lb (22.679Kg)	50.000 lb (22.679Kg)	50.000 lb (22.679Kg)
TIPPING CAPACITY	50.000 lb (22.679 Kg)	50.000 lb (22.679 Kg)	50.000 lb (22.679 Kg)	50.000 lb (22.679 Kg)	50.000 lb (22.679 Kg)