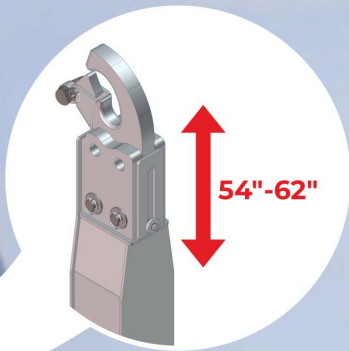


ARTICULATED
ARM

HOOK WITH MECHANIC
ADJUSTABLE LEVEL

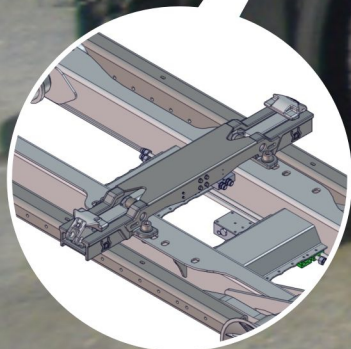


54"-62"

SOFT TOUCH
INTERLOCK



REAR
ROLLERS



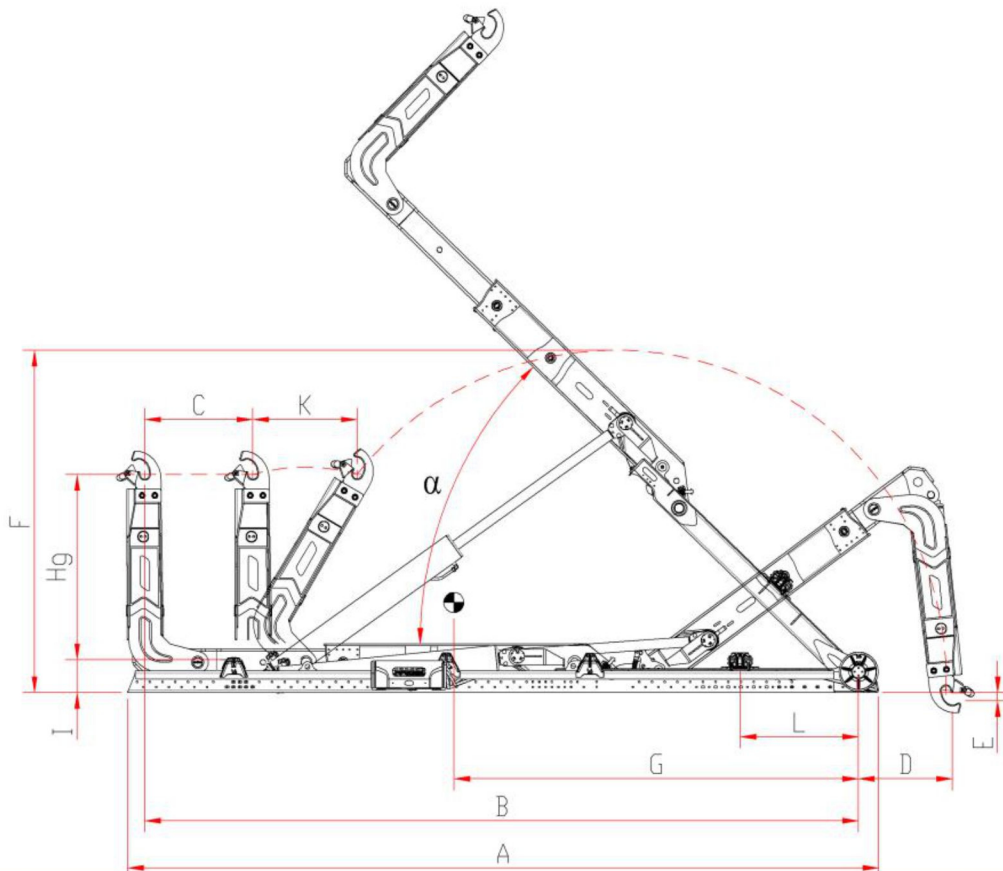
EXTERNAL HYDRAULIC
LOCKING



UNDERFRAME PIERCED
LONGITUDINAL MEMBERS



BOBEASY
CAB CONTROL



MODEL	TA 50.000 C MS	TA 50.000 NC MS	TA 50.000 N MS	TA 50.000 NL MS	TA 50.000 L MS
Hg	53,88"/61,75" (1.369/1.569mm)	53,88"/61,75" (1.369/1.569mm)	53,88"/61,75" (1.369/1.569mm)	53,88"/61,75" (1.369/1.569mm)	53,88"/61,75" (1.369/1.569mm)
A	208,66" (5.300 mm)	208,66" (5.300 mm)	216,53" (5.500 mm)	224,40" (5.700 mm)	232,28" (5.900 mm)
B	188,97" (4.800 mm)	196,85" (5.000 mm)	204,72" (5.200 mm)	212,59" (5.400 mm)	220,47" (5.600 mm)
C	25,59" (650 mm)	33,46" (850 mm)	33,46" (850 mm)	33,46" (850 mm)	33,46" (850 mm)
D	48,81" (1.240mm)	48,81" (1.240 mm)	40,94" (1.040 mm)	37" (940 mm)	29,13" (740 mm)
E	3,93" (100 mm)	3,93" (100 mm)	3,93" (100 mm)	3,93" (100 mm)	3,93" (100 mm)
F	106,29" (2.700 mm)	106,29" (2.700 mm)	106,29" (2.700 mm)	106,29" (2.700 mm)	106,29" (2.700 mm)
G	106,32" (2.700 mm)	108,26" (2.750 mm)	114,17" (2.900 mm)	120,07" (3.050 mm)	125,98" (3.200 mm)
I	10,23" (260 mm)	10,23" (260 mm)	10,23" (260 mm)	10,23" (260 mm)	10,23" (260 mm)
L	15,74" (400 mm)	15,74" (400 mm)	23,62" (600 mm)	27,55" (700 mm)	35,43" (900 mm)
K	33,46" (850 mm)	33,46" (850 mm)	33,46" (850 mm)	33,46" (850 mm)	33,46" (850 mm)
Weight*	5.864 lb (2.660 Kg)	5.864 lb (2.660 Kg)	5.908 lb (2.680 Kg)	5.996 lb (2.720Kg)	6.040 lb (2.740 Kg)
α	58°	54°	51°	48°	45°
Container min. max.	12' - 18' (3.660 - 5.480 mm)	12' - 19' (3.660 - 5.790 mm)	13' - 20' (3.960 - 6.100 mm)	14' - 20' (4.260 - 6.100 mm)	15' - 21' (4.570 - 6.400 mm)
LIFTING CAPACITY	50.000 lb (22.679 Kg)	50.000 lb (22.679 Kg)	50.000 lb (22.679 Kg)	50.000 lb (22.679 Kg)	50.000 lb (22.679 Kg)
TIPPING CAPACITY	50.000 lb (22.679 Kg)	50.000 lb (22.679 Kg)	50.000 lb (22.679 Kg)	50.000 lb (22.679 Kg)	50.000 lb (22.679 Kg)