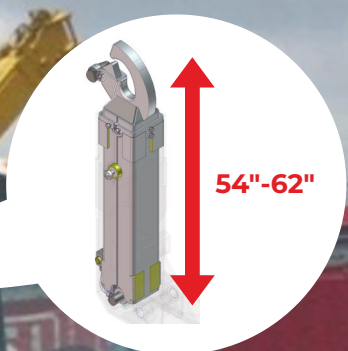


HOOK WITH MECHANIC  
ADJUSTABLE LEVEL



HOOK WITH HYDRAULIC  
ADJUSTABLE LEVEL



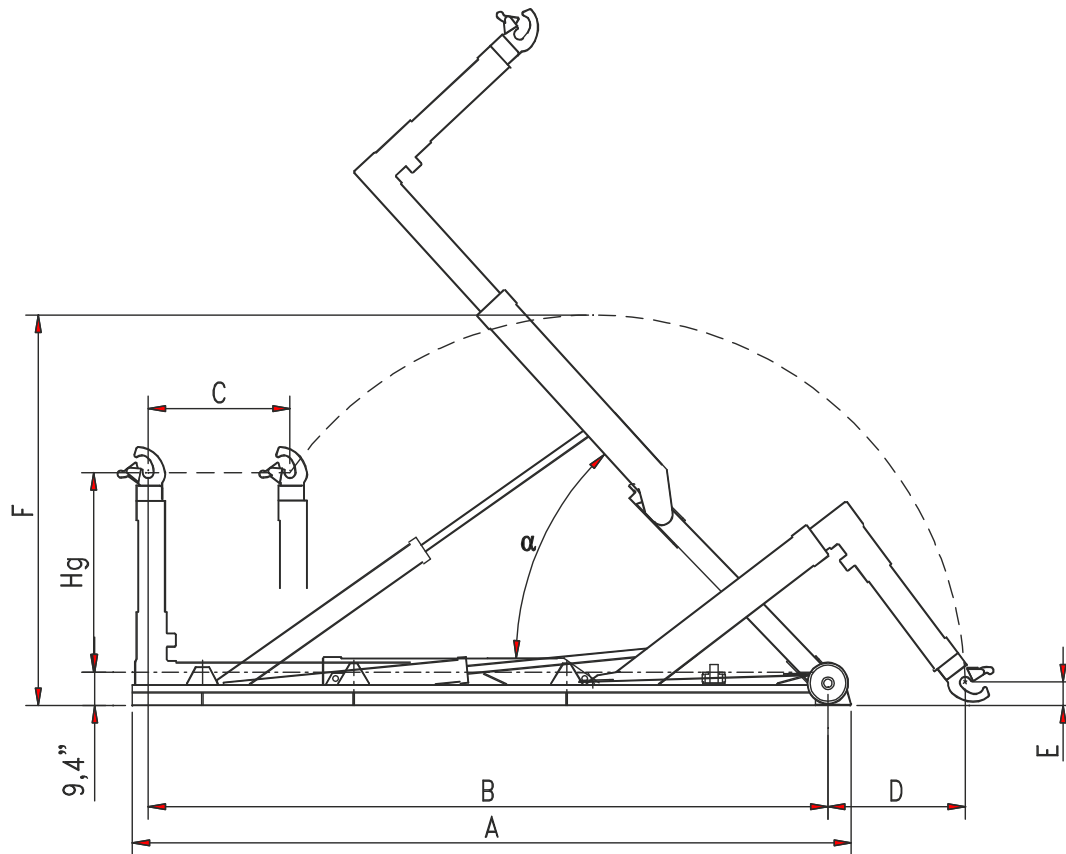
BOBEASY  
CAB CONTROL



EXTERNAL MECHANICAL  
LOCKING



UNDERFRAME PIERCED  
LONGITUDINAL MEMBERS



MODEL	T 40.000 C	T 40.000 NC	T 40.000 6N	T 40.000 6 NL	T 40.000 6L
Hg	53,88"/61,75" (1.369/1.569 mm)				
A	189,76" (4.820 mm)	197,63" (5.020 mm)	219,68" (5.580 mm)	227,55" (5.780 mm)	235,43" (5.980 mm)
B	177,95" (4.520 mm)	185,82" (4.720 mm)	204,72" (5.200 mm)	212,59" (5.400 mm)	220,47" (5.600mm)
C	40,74" (1.035 mm)				
D	55,11" (1.400 mm)	47,24" (1.200 mm)	50" (1.270 mm)	42,12" (1.070 mm)	34,25" (870 mm)
E	5,9" (150 mm)		9,44" (240 mm)		
F	110,23" (2.800 mm)		118,11" (3.000 mm)		
Weight*	4.510 lb (2.050Kg)	4.570 lb (2.080 Kg)	4.730 lb (2.150 Kg)	4.790 lb (2.180 Kg)	4.860 lb (2.210 Kg)
alpha	55°	51°	49°	46°	44°
Container min. max.	13' - 18' (3.960 - 5.480 mm)	14' - 19' (4.270 - 5.790mm)	15' - 20' (4.570 - 6.090 mm)	16' - 21' (4.870 - 6.400 mm)	17' - 22' (5.180 - 6.700 mm)
LIFTING CAPACITY	40.000 lb (18.180 Kg)				
TIPPING CAPACITY	40.000 lb (18.180 Kg)				