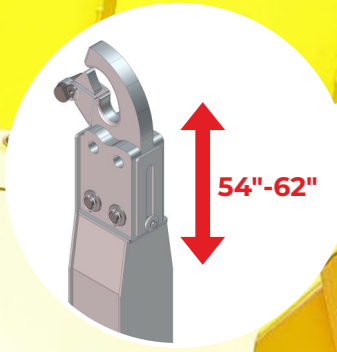
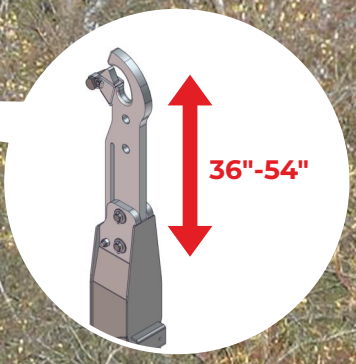


HOOK WITH MECHANIC ADJUSTABLE LEVEL



54"-62"



36"-54"

HOOK WITH MECHANIC ADJUSTABLE LEVEL



36"-54" or 54"-62"

HOOK WITH HYDRAULIC ADJUSTABLE LEVEL



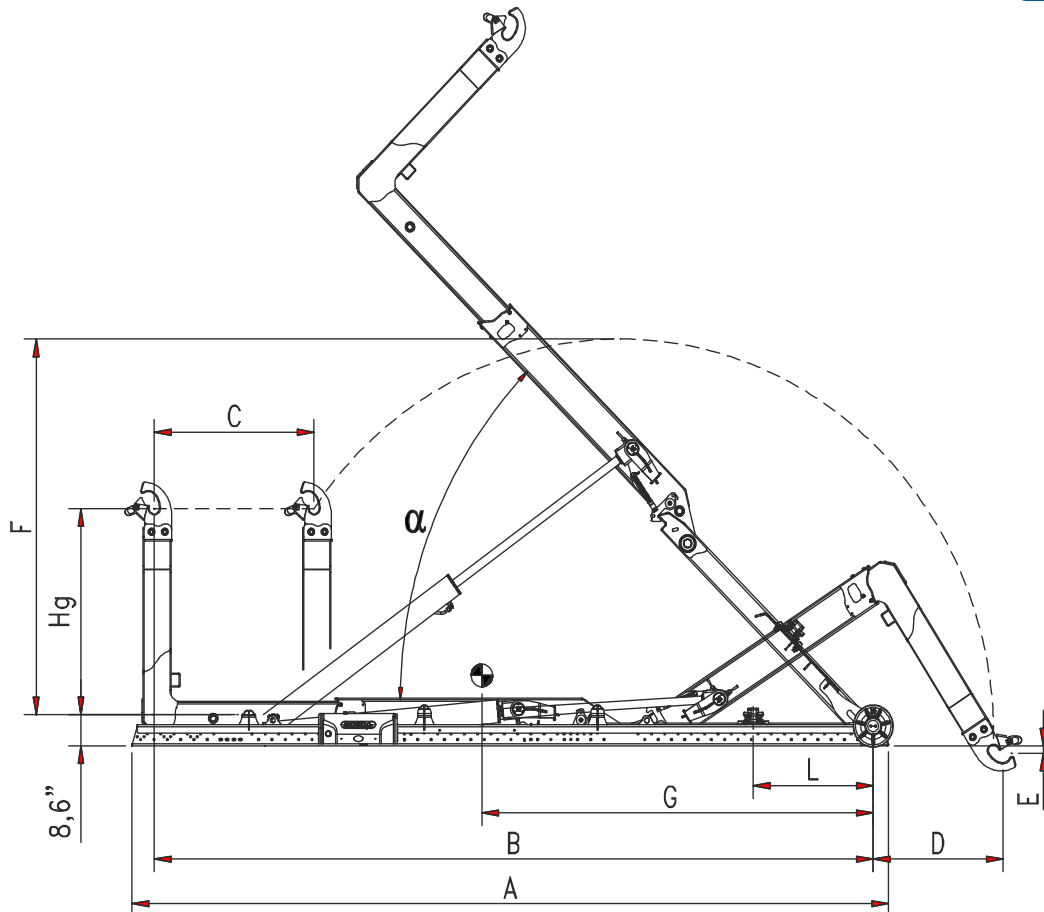
EXTERNAL MECHANICAL LOCKING



UNDERFRAME PIERCED LONGITUDINAL MEMBERS



BOBEASY CAB CONTROL



MODEL	T 26.000/6 NC MS	T 26.000/6 N MS	T 26.000/6 NL MS	T 26.000/6 L MS
Hg	35,63"/53,88"/61,75" (905/1.369/1.569mm)			
A	200" (5.080 mm)	207,87" (5.280 mm)	215,74" (5.480 mm)	235,43" (5.680 mm)
B	204,72" (4.800 mm)	196,85" (5.000 mm)	204,72" (5.200mm)	220,47" (5.400mm)
C	40,74" (1.200 mm)			
D	62,2" (1.580 mm)	54,33" (1.380 mm)	46,45" (1.180 mm)	38,58" (980 mm)
E	3,93" (100 mm)			
F	113,38" (2.880 mm)			
G	98,81" (2.510 mm)	104,72" (2.660 mm)	110,23" (2.800 mm)	115,74" (2.940 mm)
L	19,64" (500 mm)	27,55" (700 mm)	35,43" (900 mm)	39,37" (1000 mm)
Weight*	3.670 lb (1.665Kg)	3.725 lb (1.690 Kg)	3.780 lb (1.715 Kg)	3.835 lb (1.740 Kg)
α	55°	51°	48°	45°
Container min. max.	14' – 18' (4.267–5.486 mm)	14' – 19' (4.267–5.791 mm)	15' – 20' (4.572–6.096 mm)	16' – 21' (4.876–6.400 mm)
LIFTING CAPACITY	26.000 lb (11.820 Kg)			
TIPPING CAPACITY	26.000 lb (11.820 Kg)			