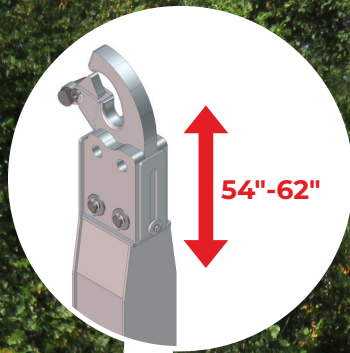


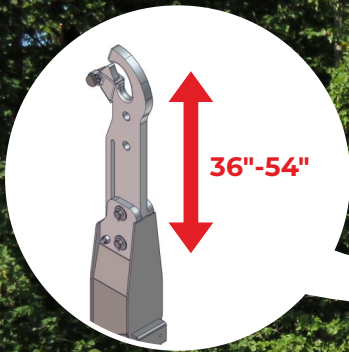
HOOK WITH HYDRAULIC  
ADJUSTABLE LEVEL



HOOK WITH MECHANIC  
ADJUSTABLE LEVEL



HOOK WITH MECHANIC  
ADJUSTABLE LEVEL



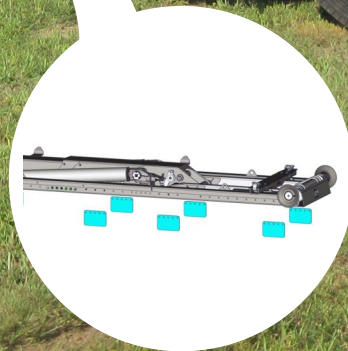
BOBEASY  
CAB CONTROL



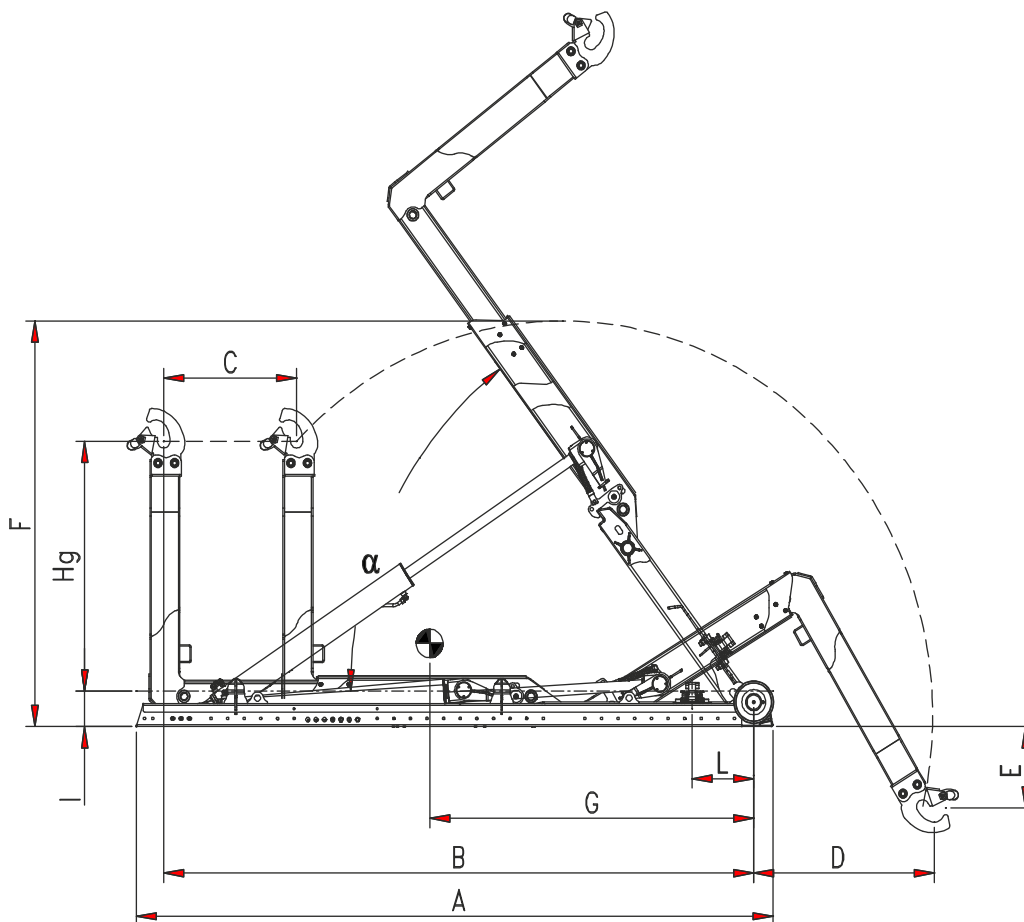
EXTERNAL MECHANICAL  
LOCKING



MECHANICAL LOCKING  
PINS



UNDERFRAME PIERCED  
LONGITUDINAL MEMBERS



MODEL	T 26.000 XXC MS	T 26.000 XC MS	T 26.000 C MS	T 26.000 N MS	T 26.000 NL MS	T 26.000 L MS	T 26.000 XL MS	
Hg	35.63"/53.88"/61.75" (905/1.369/1.569mm)							
A	146.85" (3.730 mm)	150.78" (3.830 mm)	158.66" (4.030 mm)	170.44" (4.330 mm)	178.34" (4.530 mm)	186.22" (4.730 mm)	200" (5.080 mm)	
B	131.88" (3.350 mm)	139.76" (3.550 mm)	147.63" (3.750 mm)	159.44" (4.050 mm)	137.32" (4.250 mm)	175.19" (4.450 mm)	181.1" (4.600 mm)	
C	27.55" (700 mm)	31.5" (800 mm)					39.37" (1.000 mm)	
D	46.45" (1.180 mm)	42.51" (1.080 mm)	34.64" (880 mm)	45.66" (1.160 mm)	37.79" (960 mm)	29.92" (760 mm)	58.26" (1.480 mm)	
E	19.29" (490 mm)						9.93" (100 mm)	
F	89.76" (2.280 mm)			99.6" (2.530 mm)			113.38" (2.880 mm)	
G	73.22" (1.860 mm)	76.77" (1.950 mm)	83.07" (2.110 mm)	88.97" (2.260 mm)	94.09" (2.390 mm)	99.21" (2.520 mm)	97.63" (2.480 mm)	
I	7.87" (200 mm)						8.66" (220 mm)	
L	10.62" (270 mm)	14.56" (370 mm)	22.44" (570 mm)	18.5" (470 mm)	26.37" (670 mm)		19.68" (500 mm)	
Weight*	2.610 lb (1.185 Kg)	2.665 lb (1.210 Kg)	2.720 lb (1.235 Kg)	2.820 lb (1.280 Kg)	2.870 lb (1.305 Kg)	2.930 lb (1.330 Kg)	3.670 lb (1.665 Kg)	
$\alpha$	55°	53°	50°	53°	49°	45°	55°	
Container min. max.	12' - 13' (3.657-3.962 mm)	12' - 14' (3.657-4.267 mm)	13' - 15' (3.962-4.572 mm)	13' - 16' (3.962-4.876 mm)	14' - 16' (4.267-4.876 mm)	14' - 17' (4.267-5.181 mm)	14' - 17' (4.267-5.181 mm)	
LIFTING CAPACITY	26.000 lb (11.820 Kg)							
TIPPING CAPACITY	26.000 lb (11.820 Kg)							