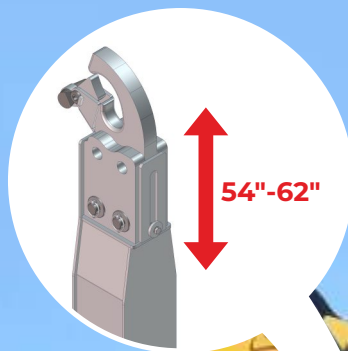
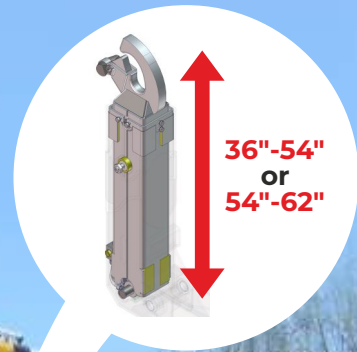


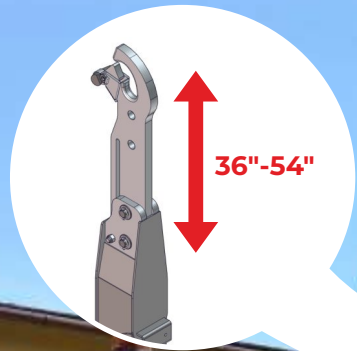
HOOK WITH MECHANIC ADJUSTABLE LEVEL



HOOK WITH HYDRAULIC ADJUSTABLE LEVEL



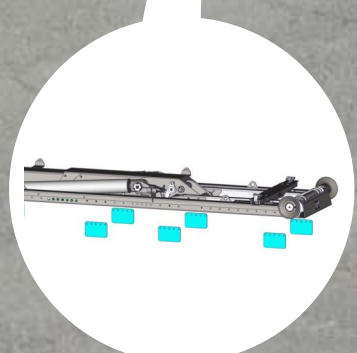
HOOK WITH MECHANIC ADJUSTABLE LEVEL



BOBEASY CAB CONTROL



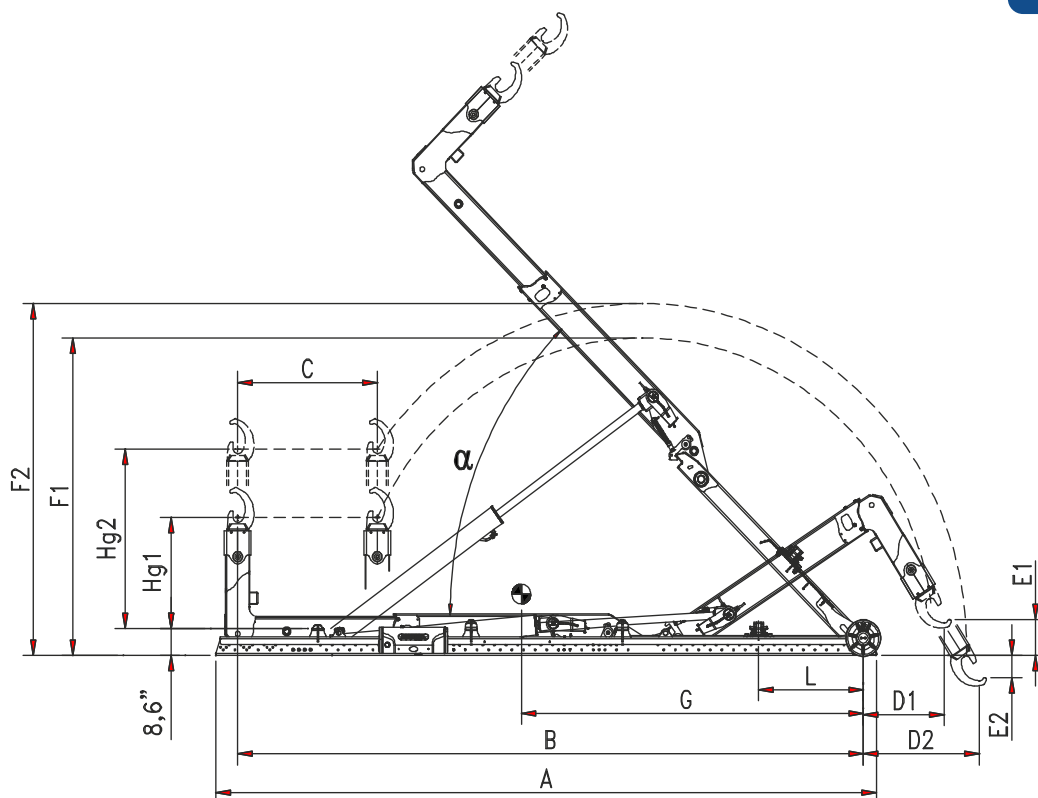
MECHANICAL LOCKING PINS



UNDERFRAME PIERCED LONGITUDINAL MEMBERS



EXTERNAL MECHANICAL LOCKING



MODEL	T 22.000/6 XXC MS	T 22.000/6 XC MS	T 22.000/6 C MS	T 22.000/6 N MS	T 22.000/6 NL MS	T 22.000/6 L MS
Hg1	35.63"/53.88"/61.75" (905/1.369/1.569mm)					
Hg2	53.88" (1.369 mm)					
A	200" (5.080 mm)			207.87" (5.280 mm)	215.74" (5.480 mm)	235.43" (5.680 mm)
B	173.22" (4.400 mm)	181.1" (4.600 mm)	204.72" (4.800 mm)	196.85" (5.000 mm)	204.72" (5.200mm)	220.47" (5.400mm)
F	31.49" (800 mm)	39.37" (1.000 mm)	40.74" (1.200 mm)			
D1	49.21" (1.250 mm)			41.33" (1.050 mm)	33.46" (850 mm)	25.59" (650 mm)
D2	62.2" (1.580 mm)			54.33" (1.380 mm)	46.45" (1.180 mm)	38.58" (980 mm)
E1	9.85" (250 mm)					
E2	8.66" (220 mm)					
F1	101.57" (2.580 mm)					
F2	113.38" (2.880 mm)					
G	96.06" (2.440 mm)	97.63" (2.480 mm)	98.81" (2.510 mm)	104.72" (2.660 mm)	110.23" (2.800 mm)	115.74" (2.940 mm)
L	19.64" (500 mm)			27.55" (700 mm)	35.43" (900 mm)	39.37" (1000 mm)
Weight*	3.760 lb (1.705Kg)			3.835 lb (1.740 Kg)	3.890 lb (1.765 Kg)	3.945 lb (1.790 Kg)
α	55°			51°	48°	45°
Container min - max	14' - 17' (4.270-5.181 mm)	14' - 17' (4.270-5.181mm)	14' - 18' (4.267-5.486 mm)	14' - 19' (4.267-5.791 mm)	15' - 20' (4.572-6.096 mm)	16' - 20' (4.876-6.096 mm)
LIFTING CAPACITY Hg1	22.000 lb (10.000 Kg)					
LIFTING CAPACITY Hg2	26.000 lb (11.820 Kg)					
TIPPING CAPACITY	26.000 lb (11.820 Kg)					