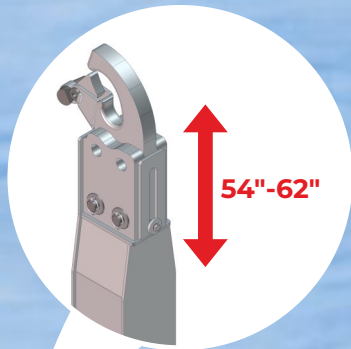
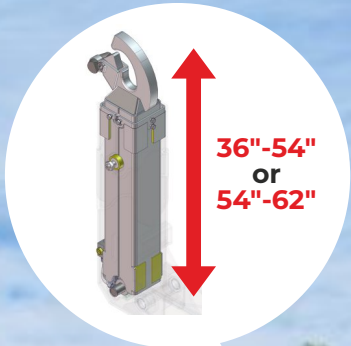


HOOK WITH MECHANIC ADJUSTABLE LEVEL



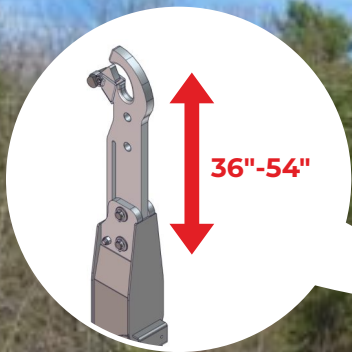
HOOK WITH HYDRAULIC ADJUSTABLE LEVEL



BOBEASY CAB CONTROL



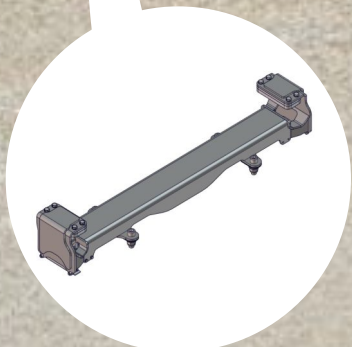
HOOK WITH MECHANIC ADJUSTABLE LEVEL



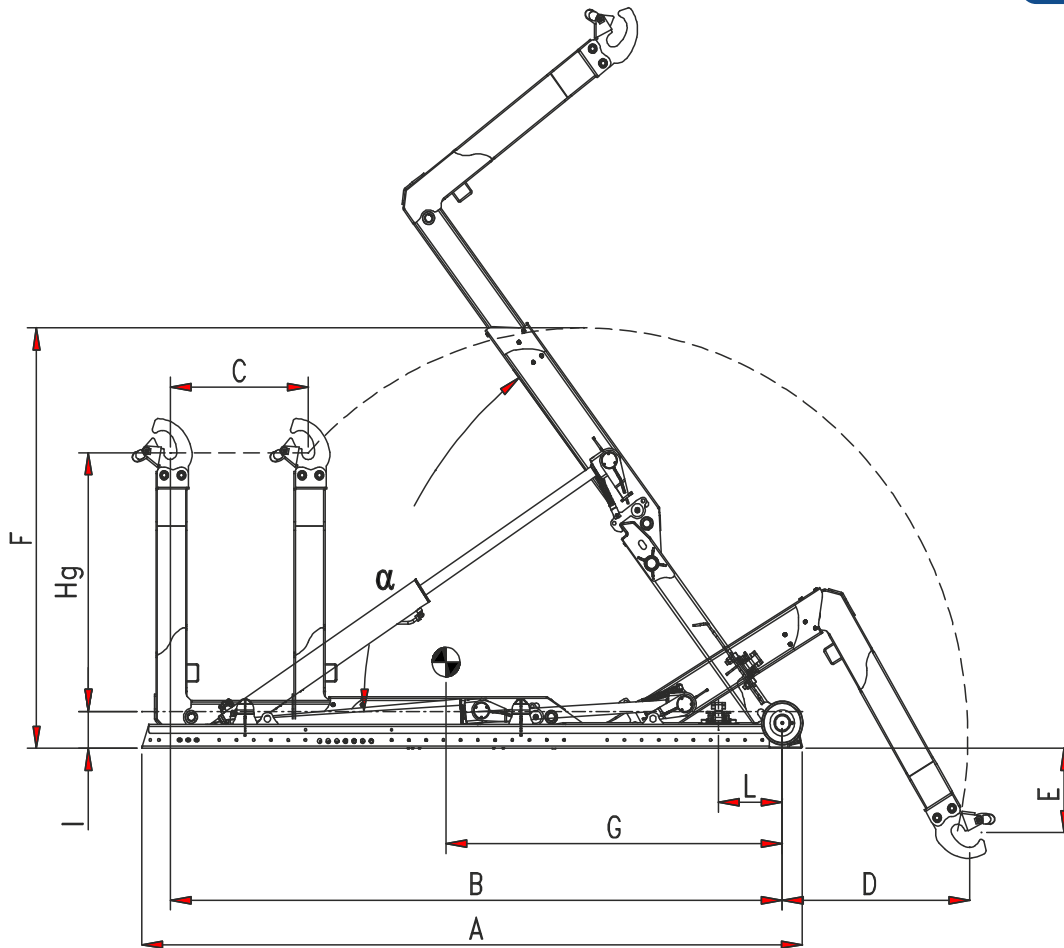
UNDERFRAME PIERCED LONGITUDINAL MEMBERS



MECHANICAL LOCKING PINS



EXTERNAL MECHANICAL LOCKING



MODEL	T 22.000 XXC MS	T 22.000 XC MS	T 22.000 C MS	T 22.000 N MS	T 22.000 NL MS	T 22.000 L MS	T 22.000 XL MS
Hg	35,63"/53,88"/61,75" (905/1.369/1.569mm)						
A	146,85" (3.730 mm)	150,78" (3.830 mm)	158,66" (4.030 mm)	170,44" (4.330 mm)	178,34" (4.530 mm)	186,22" (4.730 mm)	200" (5.080 mm)
B	131,88" (3.350 mm)	139,76" (3.550 mm)	147,63" (3.750 mm)	159,44" (4.050 mm)	137,32" (4.250 mm)	175,19" (4.450 mm)	181,1" (4.600 mm)
C	27,55" (700 mm)	31,5" (800 mm)				39,37" (1.000 mm)	
D	46,45" (1.180 mm)	42,51" (1.080 mm)	34,64" (880 mm)	45,66" (1.160 mm)	37,79" (960 mm)	29,92" (760 mm)	58,26" (1.480 mm)
E	19,29" (490 mm)						9,93" (100 mm)
F	89,76" (2.280 mm)			99,6" (2.530 mm)			113,38" (2.880 mm)
G	73,22" (1.860 mm)	76,77" (1.950 mm)	83,07" (2.110 mm)	88,97" (2.260 mm)	94,09" (2.390 mm)	99,21" (2.520 mm)	97,63" (2.480 mm)
I	7,87" (200 mm)						8,66" (220 mm)
L	10,62" (270 mm)	14,56" (370 mm)	22,44" (570 mm)	18,5" (470 mm)	26,37" (670 mm)		19,68" (500 mm)
Weight*	2.585 lb (1.175 Kg)	2.640 lb (1.200 Kg)	2.695 lb (1.225 Kg)	2.785 lb (1.265 Kg)	2.840 lb (1.290 Kg)	2.895 lb (1.315 Kg)	3.670 lb (1.665 Kg)
α	55°	53°	50°	53°	49°	45°	55°
Container min. max.	12' - 13' (3.657-3.962 mm)	12' - 14' (3.657-4.267 mm)	13' - 15' (3.962-4.572 mm)	13' - 16' (3.962-4.876 mm)	14' - 16' (4.267-4.876 mm)	14' - 17' (4.267-5.181 mm)	14' - 17' (4.267-5.181 mm)
LIFTING CAPACITY	22.000 lb (10.000 Kg)						
TIPPING CAPACITY	22.000 lb (10.000 Kg)						