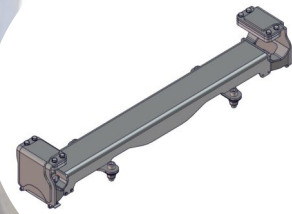




BOBEASY  
CAB CONTROL

EXTERNAL MECHANICAL  
LOCKING

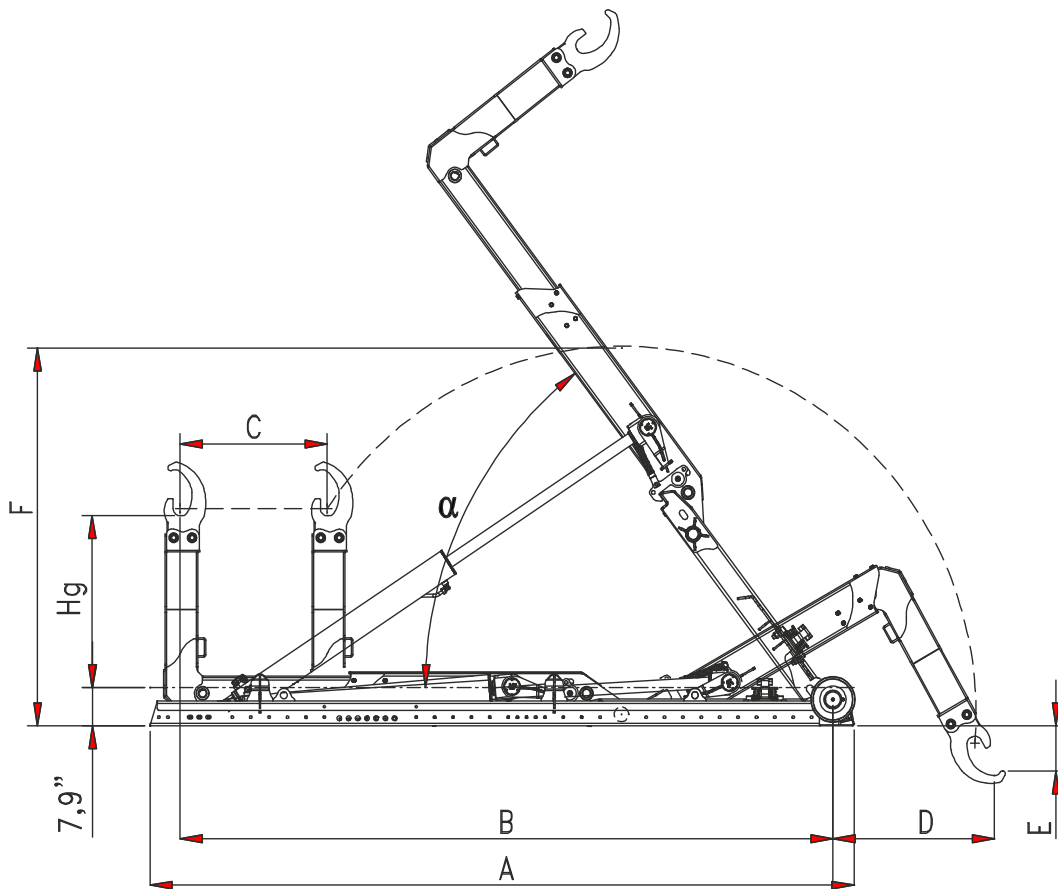


UNDERFRAME PIERCED  
LONGITUDINAL MEMBERS



MECHANICAL  
LOCKING PINS

# T 11000



MODEL	11.000 C MS LOW ARM	11.000 N MS LOW ARM	11.000 L MS LOW ARM	11.000 XL MS LOW ARM	11.000 XXL MS LOW ARM
Hg	35,63" (905 mm)				
A	127,16" (3.230 mm)	135,03" (3.430 mm)	146,85" (3.730 mm)	150,78" (3.830 mm)	158,66" (4.030 mm)
B	116,14" (2.950 mm)	124,01" (3.150 mm)	131,88" (3.350 mm)	139,76" (3.550 mm)	147,63" (3.750 mm)
C	27,55" (700 mm)			31,5" (800 mm)	
D	39,37" (1.000 mm)	31,49" (800 mm)	38,58" (980 mm)	34,564" (880 mm)	26,77" (680 mm)
E	9" (228 mm)				
F	71,65" (1.820 mm)	71,65" (1.820 mm)	77,95" (1.980 mm)		
Weight*	1.430 lb (650 Kg)	1.450 lb (660 Kg)	1.520 lb (690 Kg)	1.540 lb (700 Kg)	1.560 lb (710 Kg)
α	51°	48°	55°	53°	50°
Container min. max.	10' - 12' (3.048-3.657 mm)	11' - 13' (3.352-3.962 mm)	12' - 13' (3.657-3.962 mm)	12' - 14' (3.657-4.267 mm)	13' - 15' (3.962-4.572 mm)
LIFTING CAPACITY	11.000 lb (5.000 Kg)				
TIPPING CAPACITY	11.000 lb (5.000 Kg)				