

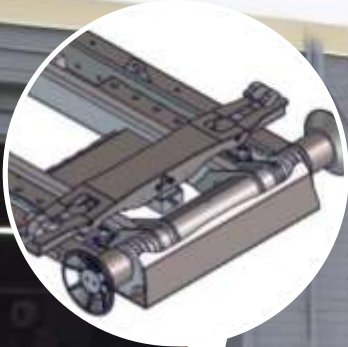
FRONT CONTAINER  
SUPPORT SRMS



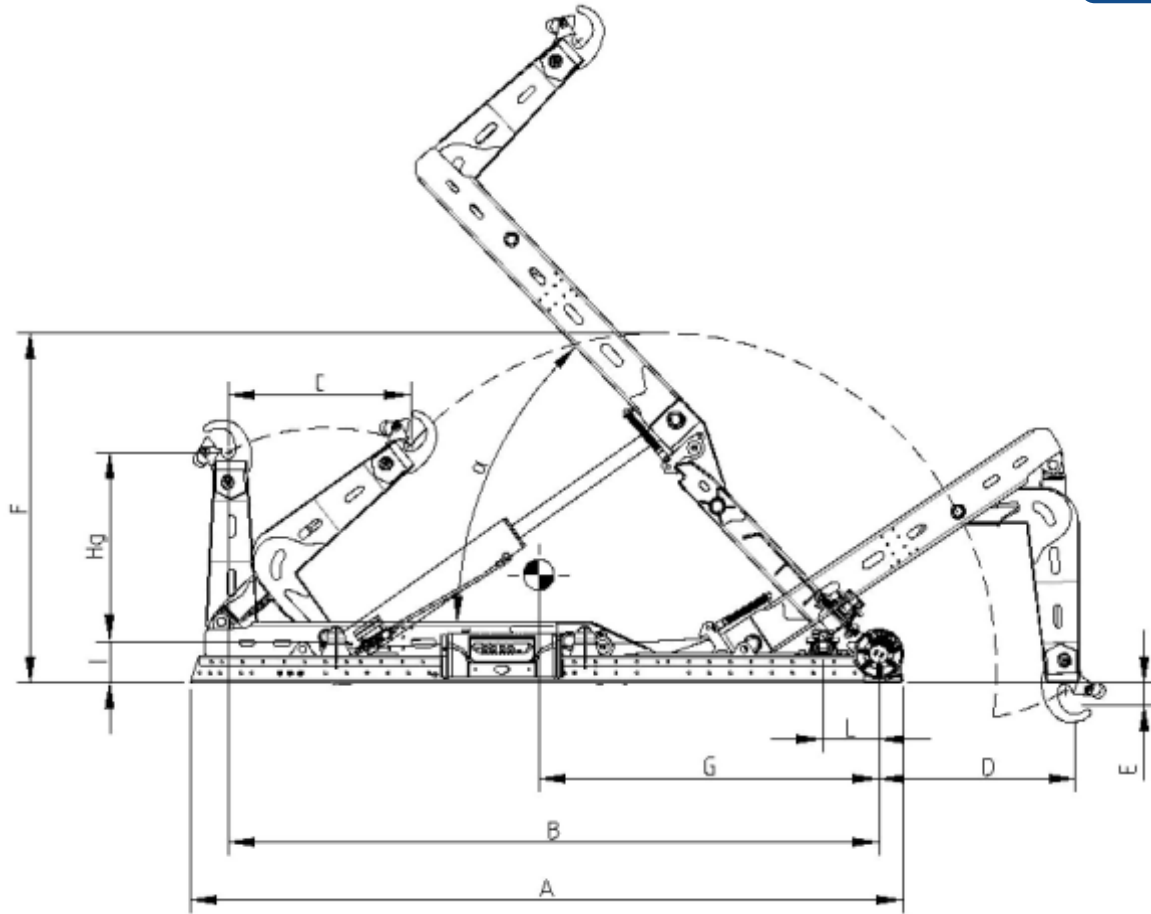
BOBEASY  
CAB CONTROL



EXTERNA  
HYDRAULIC LOCKING



UNDERFRAME PIERCED  
LONGITUDINAL  
MEMBERS



| MODEL                  | A 14.000 C                      | A 14.000 N                     | A 14.000 L                      | A 14.000 XL                     | A 14.000 XXL                    |
|------------------------|---------------------------------|--------------------------------|---------------------------------|---------------------------------|---------------------------------|
| Hg                     | 35,63"<br>(905 mm)              |                                |                                 |                                 |                                 |
| A                      | 124,6"<br>(3.165 mm)            | 132,48"<br>(3.365 mm)          | 140,35"<br>(3.565 mm)           | 148,22"<br>(3.765 mm)           | 156,1"<br>(3.965 mm)            |
| B                      | 116,14"<br>(2.950 mm)           | 124,01"<br>(3.150 mm)          | 131,88"<br>(3.350 mm)           | 139,76"<br>(3.550 mm)           | 147,63"<br>(3.750 mm)           |
| C                      | 33,66"<br>(885 mm)              |                                |                                 |                                 |                                 |
| D                      | 36,81"<br>(935 mm)              | 28,93"<br>(735 mm)             | 21,06"<br>(535 mm)              | 30,9"<br>(785 mm)               | 23,03"<br>(585 mm)              |
| E                      | 3,93"<br>(100 mm)               |                                |                                 | 5,9"<br>(150 mm)                |                                 |
| F                      | 65,15"<br>(1.655 mm)            |                                |                                 | 70,86"<br>(1.800 mm)            |                                 |
| Weight*                | 1.958 lb<br>(890 Kg)            | 2.024 lb<br>(920 Kg)           | 2.090 lb<br>(950 Kg)            | 2.354 lb<br>(1.070 Kg)          | 2.420 lb<br>(1.100 Kg)          |
| $\alpha$               | 52°                             | 46°                            | 42°                             | 52°                             | 47°                             |
| Container<br>min. max. | 10' – 12'<br>(3.050 – 3.650 mm) | 11' – 13'<br>(3.350 – 3950 mm) | 12' – 13'<br>(3.650 – 3.950 mm) | 12' – 14'<br>(3.650 – 4.250 mm) | 13' – 15'<br>(3.950 – 4.550 mm) |
| LIFTING CAPACITY       | 14.000 lb<br>(6.360 Kg)         |                                |                                 |                                 |                                 |
| TIPPING CAPACITY       | 14.000 lb<br>(6.360 Kg)         |                                |                                 |                                 |                                 |